

INS/OUTS

2 HD/SD SDI Ins (1920,1280,525,625 auto sense)
 4 HD/SD SDI Outs
 1 Composite Out (SD mode only)
 4 GPI In and 2 GPI Outs
 1 LTC In (symetrical)
 1 RJ45 100base_T Ethernet

DIGITAL PROC AMP (YUV)

Y Lift -150/+150mV from nominal
 Cb/Cr lift ±150mV from nominal
 Y Gain +50% to +200%
 Cb/Cr Gain +0% to +200%
 Hue±180°
 Y Black Clip -50/+50mV from nominal
 Y Black Knee +100/-0mV from Black Clip
 Y White Clip 760/650mV
 Y White Knee -100/+0mV from White Clip
 Cb/Cr Clip 150/50%

LEGALIZER

100% removal of illegal colors (if longer than 4 pixels)

COLOR CORRECTOR (RGB)

RGB Black -700/+1440mV from nominal
 RGB Peak level -700/+1440mV from nominal
 RGB Gamma equivalent to input gamma of +1.0 to 2.8
 RGB Black Clip -50/+50mV from nominal
 RGB Black Knee +100/-0mV from Black Clip
 RGB White Clip 760/650mV
 RGB White Knee -100/+0mV from White Clip

TIMING & CROPPING

H Crop 0 to +half video line (linear edges)
 V Crop 0 to +half video field

DIMENSIONS (FIG)

44mm (H) x 205mm (W) x 325mm (L)
 Rack mounting with RM1 option (2 units in 1RU)

WEIGHT

2.5kg (without power supply)

POWER

FIG comes with an external 100-240V power supply
 Optional redundant power supply (RPSU)
 Power consumption: less than 20W

All specifications of this brochure are subject to change without notice. They are given for information only

ORDERING INFORMATION

FIG	Universal HD-SD SDI to HD-SD SDI OS free computer External 12V Power Supply
CO475/485 CO479/489	Single/Dual channel RGB Color legalizer and YUV Proc Amp (SD only) same as CO475/479 plus SD/HD support
CO500/510 CO509/519	Single/Dual channel RGB/YUV Color Corrector and Legalizer (SD only) same as CO500/510 plus SD/HD support
CO520/530 CO529/539	Single/Dual channel RGB only Color Corrector and Legalizer (SD only) same as CO520/530 plus SD/HD support
CO540 CO549	4x4 (RGBK/YUVK) Color Corrector and Legalizer (SD only) same as CO540 plus SD/HD support
CO600 CO609	TC controlled single channel RGB/YUV Color Corrector (SD only) same as CO600 plus SD/HD support
RC-CO	Remote control for Color Correction
RM1	Rack mounting mechanics for 1 or 2 FIG modules
RPSU	Redundant & Hot Swap external Power 12V Supply

Doc 2006-0--COCO-V3.00

COLOR CONTROL

Software solutions developed on FIG hardware platform

Legalizer (Single/Dual Channel)

CO475/485 (SD) CO479/489 (HD) on FIG

Full Color Corrector (Single/Dual Channel)

CO500/510 (SD) CO509/519 (HD) on FIG

RGB only (Single/Dual Channel)

CO520/530 (SD) CO529/539 (HD) on FIG

4x4 RGBK or YUVK (Single Channel)

CO540 (SD) CO549 (HD) on FIG

TC Controlled Color Corrector

CO600 (SD) CO609 (HD) on FIG

Additional Control unit

RC-CO



Tcube



RC CO

FIG

OS-free 'computer' designed for dual link HD, HD, SDI
 Second to none

FIG has everything to suit your needs

Dual HD or SDI Inputs

HD or SDI Outputs

Redundant Power Supply

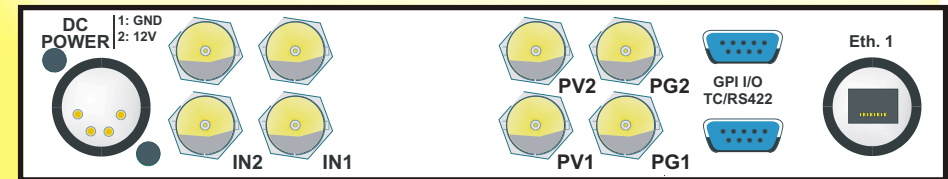
Ethernet connection

GPI I/O

Field upgradable firmware from Compact Flash

COLOR CONTROL

FIG

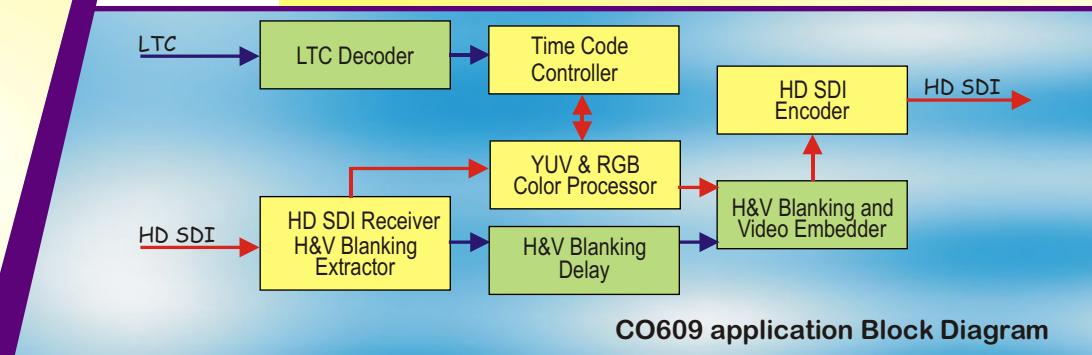


General functionalities

- Serial SD/HD-SDI Inputs
- Serial SD/HD-SDI Outputs
- LTC symmetrical Input
- 2 GPI Out, 4 GPI In all potential free
- User selectable GPI controls
- Total control from front panel
- 100baseT Ethernet network connector
- 1RU height, half 19" width (2 units in 1RU)

Mattis: GUI (windows based software) for EDL creation, import (AVID compatible) and management direct control of all color correction parameters
Process is transparent to embedded audio and VBI

RGB Color corrector (black, gain, gamma)
Complete YUV Proc Amp plus YUV Clipping
True False Color Legalizer with adjustable thresholds (RGB Clipper)
H and V crop with linear edges
Input signal can be replaced by one of the 6 embedded digital test patterns
Controls from front panel or from RC CO



RC-CO Functionalities

- 100 baseT Ethernet network
- Internal 10/100 Ethernet switch with 4 external ports
- Graphics LCD display
- Camera style mechanics
- Direct access to all functions of Color Correctors
- Direct access to all devices on network



Tcube